

Technical characteristics

- Flow rates: from 1.5 to 304 l/h
- Max Pressure: up to 20 bar (290 psi)
- Motor:
 - 0.18 kW and 0.25 kW - 3 ph (IP55)
 - 0.25 kW and 0.37 kW - 1 ph (IP55)
- Stroke rate: 58 – 78 – 116 strokes/minute
- Stroke length: 15 mm
- Piston diameter: from 6 to 64 mm
- Pump head:
 - SS 316 L
 - PVC
- Max. dosing temperature:
 - SS 316 L 90° C
 - PVC 40° C

Seko plunger piston pump PS1 Series has a wide range product. PS1 Series performances cover s from 1.5 to 304 l/h with a back pressure up to 20 bar, having several configurations available for the pump head and power, in order to have the characteristics most suitable for processes where required. PS1 pump have a spring return mechanism into an aluminum housing.

Each model has 3 values of stroke rate, which can be set manually or automatically using an actuator which accepts a signal 4÷20 mA. Moreover they can be supplied with a 3 phases or 1 phase electric motor with protection class IP55.

PUMP KEY CODE

| | | | | | | | | | |
|----------|--|---------|-------------|---|-------------|-----------|---|---|---|
| 1° | Model | | | | | | | | |
| P | Plunger Piston | | | | | | | | |
| 2° 3° | Mechanism Type | | | | | | | | |
| S1 | Piston | | | | | | | | |
| 4° | Stroke Length [mm] | | | | | | | | |
| D | 15 | | | | | | | | |
| 5°/6°/7° | Piston Diameter [mm] | | | | | | | | |
| 006 | 6 | | | | | | | | |
| 011 | 11 | | | | | | | | |
| 017 | 17 | | | | | | | | |
| 025 | 25 | | | | | | | | |
| 030 | 30 | | | | | | | | |
| 038 | 38 | | | | | | | | |
| 048 | 48 | | | | | | | | |
| 054 | 54 | | | | | | | | |
| 064 | 64 | | | | | | | | |
| 8° | Stroke Rate [stroke/min] | | | | | | | | |
| A | 58 | | | | | | | | |
| B | 78 | | | | | | | | |
| C | 116 | | | | | | | | |
| 9°/10° | Pump Head Material | | | | | | | | |
| | Pump Head | Piston | Piston Seal | Valves | Seat Valves | Equipment | | | |
| 21 | SS 316 | SS 316 | FPM | SS 316 | SS 316 | Standard | | | |
| 31 | PVC | Ceramic | FPM | Ceramic | PTFE | | | | |
| 24 | SS 316 | Ceramic | EPDM | SS 316 | SS 316 | Special | | | |
| 32 | PVC | Ceramic | FPM | SS 316 | SS 316 | | | | |
| 34 | PVC | Ceramic | EPDM | Ceramic | PTFE | | | | |
| 11°/12° | Electric Motor Type [Kw] | | | | | | | | |
| A4 | 0,18 (4 poles - 230/400 Vac - 50/60 Hz - 3 ph) | | | | | | | | |
| B4 | 0,25 (4 poles - 230/400 Vac - 50/60 Hz - 3 ph) | | | | | | | | |
| H4 | 0,25 (230 Vac - 50 Hz - 1 ph) | | | For the same performances. Use one size bigger than 3ph motor | | | | | |
| I4 | 0,37 (230 Vac - 50 Hz - 1 ph) | | | | | | | | |
| S0 | Without motor | | | | | | | | |
| 13° | Stroke Regulation | | | | | | | | |
| 0 | Manual | | | | | | | | |
| L | Automatic Linear SEKO | | | | | | | | |
| 14° | Customization | | | | | | | | |
| 0 | Standard | | | | | | | | |
| H | High Pressure pump Head | | | | | | | | |
| 15° | Optional | | | | | | | | |
| 0 | Standard | | | | | | | | |
| P | S1 | D | 011 | B | 31 | A4 | L | 0 | 0 |

HYDRAULIC CHARACTERISTICS

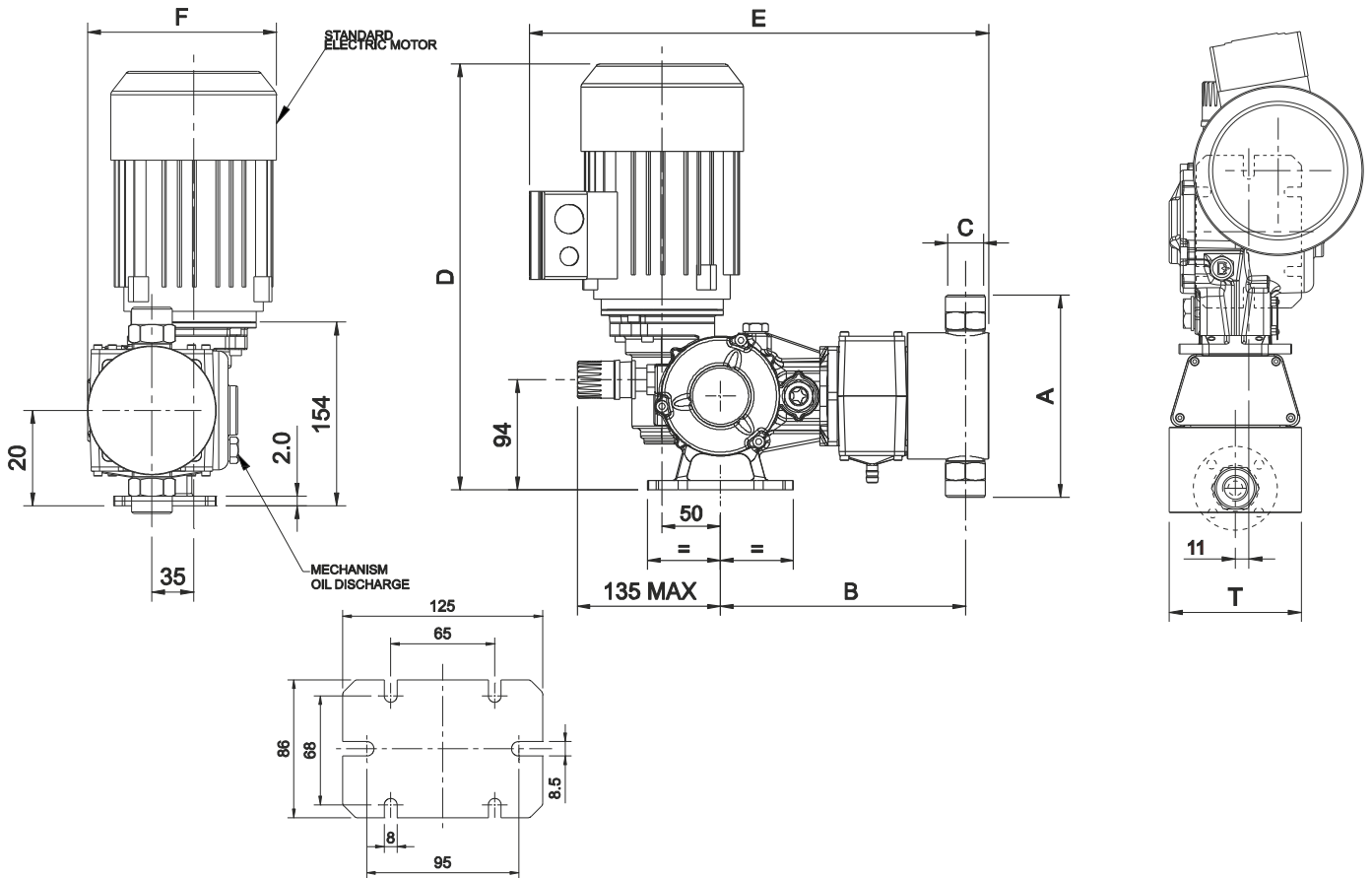
| Pump Model | Piston Diameter [mm] | Stroke/min | Flow rate | | Max back pressure | | | | Suction/Discharge Connection | | Electric Motor 50 Hz 3 phases [kW] |
|-----------------|----------------------|------------|-----------|-------|-------------------|-----|--------|------|------------------------------|----------|------------------------------------|
| | | | | | bar | | p.s.i. | | | | |
| | | | l/h | gl/h | SS 316 | PVC | SS 316 | PVC | SS 316 | PVC | |
| P S 1 D 0 0 6 A | 6 | 58 | 1,5 | 0,40 | 20 | 10 | 290 | 145 | 1/4" G F | 1/4" G F | 0,18 (A4) |
| P S 1 D 0 0 6 B | | 78 | 2 | 0,53 | | | | | | | |
| P S 1 D 0 0 6 C | | 116 | 3 | 0,79 | | | | | | | |
| P S 1 D 0 1 1 A | 11 | 58 | 5 | 1,32 | 20 | 10* | 290 | 145* | 1/4" G F | 1/4" G F | 0,18 (A4) |
| P S 1 D 0 1 1 B | | 78 | 6,5 | 1,72 | | | | | | | |
| P S 1 D 0 1 1 C | | 116 | 10 | 2,65 | | | | | | | |
| P S 1 D 0 1 7 A | 17 | 58 | 11 | 2,91 | 20 | 10* | 290 | 145* | 3/8" G F | 3/8" G F | 0,18 (A4) |
| P S 1 D 0 1 7 B | | 78 | 15 | 3,97 | | | | | | | |
| P S 1 D 0 1 7 C | | 116 | 22 | 5,82 | | | | | | | |
| P S 1 D 0 2 5 A | 25 | 58 | 25 | 6,61 | 20 | 10* | 290 | 145* | 3/8" G F | 3/8" G F | 0,18 (A4) |
| P S 1 D 0 2 5 B | | 78 | 32 | 8,47 | | | | | | | |
| P S 1 D 0 2 5 C | | 116 | 50 | 13,23 | | | | | | | |
| P S 1 D 0 3 0 A | 30 | 58 | 35 | 9,26 | 20 | 10* | 290 | 145* | 3/8" G F | 3/8" G F | 0,25 (B4) |
| P S 1 D 0 3 0 B | | 78 | 45 | 11,90 | | | | | | | |
| P S 1 D 0 3 0 C | | 116 | 70 | 18,52 | | | | | | | |
| P S 1 D 0 3 8 A | 38 | 58 | 55 | 14,55 | 17 | 10* | 247 | 145* | 3/8" G F | 3/8" G F | 0,25 (B4) |
| P S 1 D 0 3 8 B | | 78 | 73 | 19,31 | | | | | | | |
| P S 1 D 0 3 8 C | | 116 | 110 | 29,10 | | | | | | | |
| P S 1 D 0 4 8 A | 48 | 58 | 85 | 22,49 | 10 | 10 | 145 | 145 | 1/2" G F | 1/2" G F | 0,25 (B4) |
| P S 1 D 0 4 8 B | | 78 | 114 | 30,16 | | | | | | | |
| P S 1 D 0 4 8 C | | 116 | 170 | 44,97 | | | | | | | |
| P S 1 D 0 5 4 A | 54 | 58 | 110 | 29,10 | 8 | 8 | 116 | 116 | 1/2" G F | 1/2" G F | 0,25 (B4) |
| P S 1 D 0 5 4 B | | 78 | 145 | 38,36 | | | | | | | |
| P S 1 D 0 5 4 C | | 116 | 220 | 58,20 | | | | | | | |
| P S 1 D 0 6 4 A | 64 | 58 | 152 | 40,21 | 6 | 4 | 87 | 58 | 3/4" G F | 3/4" G F | 0,25 (B4) |
| P S 1 D 0 6 4 B | | 78 | 204 | 53,97 | | | | | | | |
| P S 1 D 0 6 4 C | | 116 | 304 | 80,42 | | | | | | | |

*Available with special reinforced pump head for use with pressure up to 20 bar - 14° Field (Optional) in the Key Code identified by "H"

PUMP HEAD MATERIAL

| Material | Standard | | Special | | | | | |
|-------------|----------|---------|---------|---------|--------|---------|---------|---------|
| | 21 | 31 | 23 | 24 | 26 | 32 | 34 | 41 |
| Pump Head | SS 316 | PVC | SS 316 | SS 316 | SS 316 | PVC | PVC | PVDF |
| Piston | SS 316 | Ceramic | Ceramic | Ceramic | SS 316 | Ceramic | Ceramic | Ceramic |
| Piston Seal | FPM | FPM | FPM | EPDM | EPDM | FPM | EPDM | FPM |
| Valves | SS 316 | Ceramic | SS 316 | SS 316 | SS 316 | SS 316 | Ceramic | Ceramic |
| Seat Valves | SS 316 | PTFE | SS 316 | SS 316 | SS 316 | SS 316 | PTFE | PVDF |

DIMENSIONS



| Material Pump Head | Pump Model | A | B | C | T | 3 PHASE | | | | | 1 PHASE | | | | |
|-----------------------|------------|-----|-----|----------|------|---------|--------|------|------|------|---------|-------|------|------|------|
| | | | | | | P kW | Size | D mm | E mm | F mm | P kW | Size | D mm | E mm | F mm |
| AISI 316 (21 - 24) | PS1D006 | 161 | 195 | 1/4" G F | 68 | 0.18 | 63 B14 | 333 | 362 | 151 | 0.25 | 71B14 | 371 | 392 | 160 |
| | PS1D011 | 161 | 195 | 1/4" G F | 68 | 0.18 | 63 B14 | 333 | 362 | 151 | 0.25 | 71B14 | 371 | 392 | 160 |
| | PS1D017 | 121 | 195 | 3/8" G F | 68 | 0.18 | 63 B14 | 333 | 362 | 151 | 0.25 | 71B14 | 371 | 392 | 160 |
| | PS1D025 | 121 | 200 | 3/8" G F | 68 | 0.18 | 63 B14 | 333 | 367 | 151 | 0.25 | 71B14 | 371 | 397 | 160 |
| | PS1D030 | 122 | 200 | 3/8" G F | 68 | 0.25 | 71B14 | 371 | 378 | 160 | 0.37 | 71B14 | 371 | 397 | 160 |
| | PS1D038 | 164 | 210 | 3/8" G F | 88.5 | 0.25 | 71B14 | 371 | 390 | 160 | 0.37 | 71B14 | 371 | 409 | 160 |
| | PS1D048 | 164 | 210 | 1/2" G F | 88.5 | 0.25 | 71B14 | 371 | 390 | 160 | 0.37 | 71B14 | 371 | 409 | 160 |
| | PS1D054 | 176 | 210 | 1/2" G F | 108 | 0.25 | 71B14 | 371 | 392 | 160 | 0.37 | 71B14 | 371 | 411 | 160 |
| | PS1D064 | 195 | 215 | 3/4" G F | 108 | 0.25 | 71B14 | 371 | 401 | 160 | 0.37 | 71B14 | 371 | 420 | 160 |
| PVC (31-32-34) | PS1D006 | 220 | 195 | 1/4" G F | 79 | 0.18 | 63 B14 | 333 | 368 | 151 | 0.25 | 71B14 | 371 | 398 | 160 |
| | PS1D011 | 220 | 195 | 1/4" G F | 79 | 0.18 | 63 B14 | 333 | 368 | 151 | 0.25 | 71B14 | 371 | 398 | 160 |
| | PS1D017 | 179 | 195 | 3/8" G F | 79 | 0.18 | 63 B14 | 333 | 368 | 151 | 0.25 | 71B14 | 371 | 398 | 160 |
| | PS1D025 | 179 | 200 | 3/8" G F | 78 | 0.18 | 63 B14 | 333 | 377 | 151 | 0.25 | 71B14 | 371 | 407 | 160 |
| | PS1D030 | 178 | 200 | 3/8" G F | 78 | 0.25 | 71B14 | 371 | 388 | 160 | 0.37 | 71B14 | 371 | 407 | 160 |
| | PS1D038 | 200 | 210 | 3/8" G F | 98 | 0.25 | 71B14 | 371 | 402 | 160 | 0.37 | 71B14 | 371 | 421 | 160 |
| | PS1D048 | 244 | 210 | 1/2" G F | 108 | 0.25 | 71B14 | 371 | 403 | 160 | 0.37 | 71B14 | 371 | 422 | 160 |
| | PS1D054 | 253 | 210 | 1/2" G F | 118 | 0.25 | 71B14 | 371 | 403 | 165 | 0.37 | 71B14 | 371 | 422 | 165 |
| | PS1D064 | 273 | 215 | 3/4" G F | 120 | 0.25 | 71B14 | 371 | 413 | 165 | 0.37 | 71B14 | 371 | 432 | 166 |