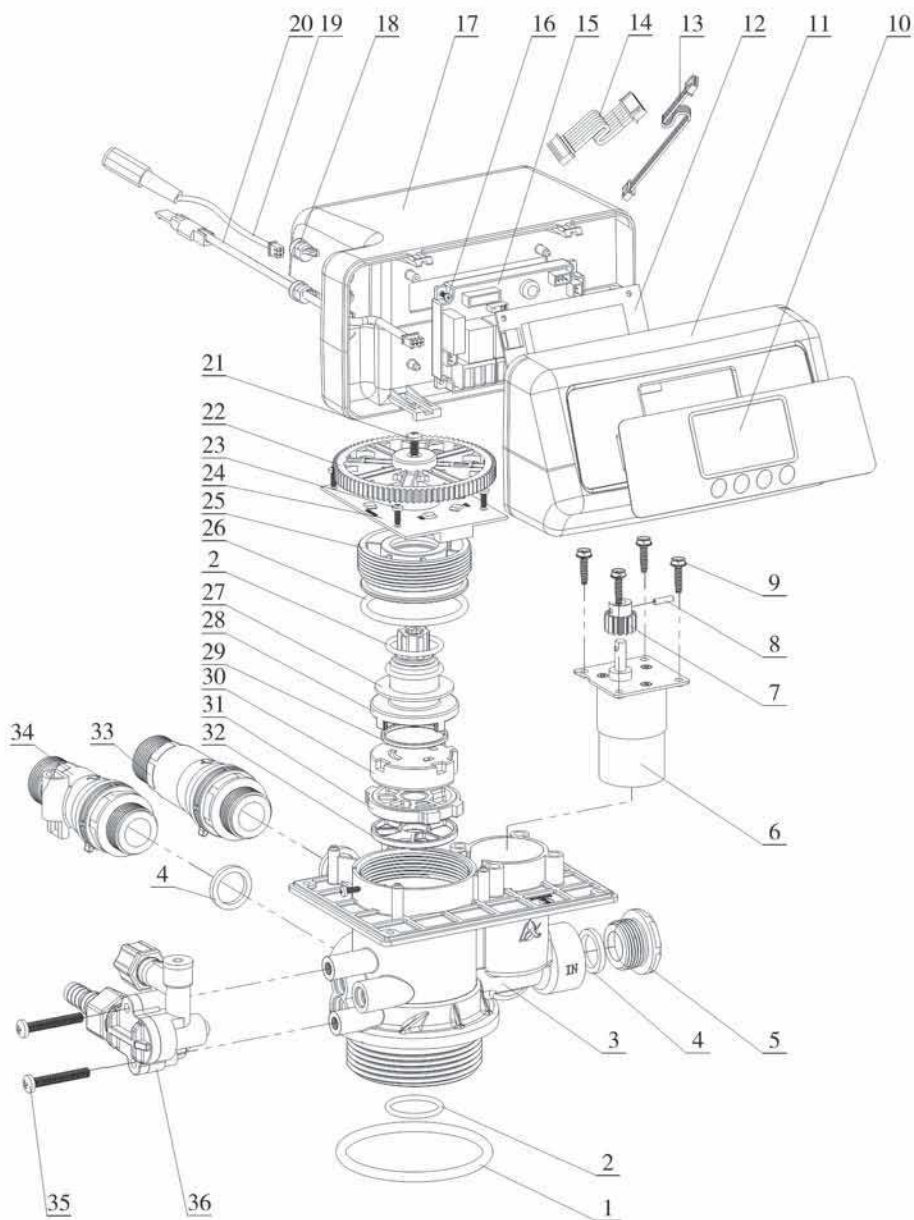


F65B3&F69A3 Valve Body Assembly



F65B3/F65B1 Valve Body Components (Item No.20,34,35 only for 65B3)

Item No.	Description	Part No.	Quantity	Item No.	Description	Part No.	Quantity
1	O-ring 73 × 5.3	8378143	1	19	Wire for Power	5513001	1
2	O-ring 25.8 × 2.65	8378078	3	20	Probe Wire	6386014	1
3	Valve Body (ABS+GF10)	5022018	1	21	Screw, Cross ST3.9 × 13	8909013	1
	Valve Body (PPO+GF20)	5022019		22	Big Gear, Driven	5241005	1
4	Seal Ring	8371019	3	23	Screw, Cross ST2.9 × 9.5	8909008	7
5	Plug	8323005	1	24	Locating Board	6380003	1
6	Motor	6158006	1	25	Fitting Nut	8092007	1
7	Small Gear, Motor	8241010	1	26	O-ring 50.39 × 3.53	8378107	1
8	Pin	8993003	1	27	Anti-friction Washer	8216010	1
9	Screw, Cross ST3.9 × 16	8909044	4	28	Shaft	8258009	1
10	Label	8865004	1	29	Moving Seal Ring	8370053	1
11	Front Cover	8300004	1	30	Moving Disk	8459013	1
12	Display Board	6381003	1	31	Fixed Disk	8469012	1
13	Wire for Display Board	5512001	1	32	Seal Ring	8370025	1
14	Wire for Locating Board	5511001	1	33	Animated Connector	5457003	1
15	Control Board	6382003	1	34	Flow Meter	5447020	1
16	Screw, Cross ST2.2 × 6.5	8909004	2	35	Screw, Cross M5 × 35	8902017	2
17	Dust Cover	8005005	1	36	Old Injector(6300)	5468005	1
18	Cable Clip	8126004	2		New Injector(6800)	5468111	

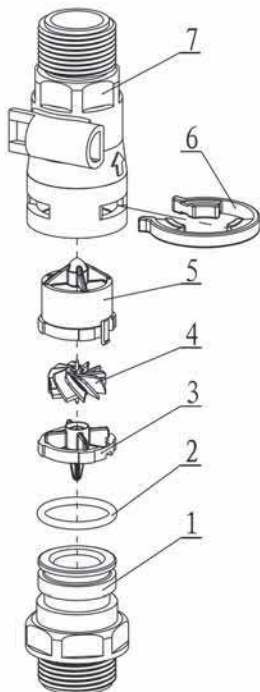
MODEL F65B1/F65B3/F65G1/F65G3/F69A1/F69A3/F69G1/F69G3

F69A3/F69A1 Valve Body Components (Item No. 20, 34, 35 only for F69A3)

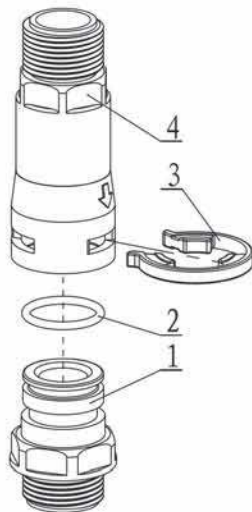
Item No.	Description	Part No.	Quantity	Item No.	Description	Part No.	Quantity
1	O-ring 73 × 5.3	8378143	1	19	Wire for Power	5513001	1
2	O-ring 25.8 × 2.65	8378078	3	20	Probe Wire	6386014	1
3	Valve Body (ABS+GF10)	5022024	1	21	Screw, Cross ST3.9 × 13	8909013	1
	Valve Body (PPO+GF20)	5022025		22	Big Gear, Driven	5241005	1
4	Seal Ring	8371019	3	23	Screw, Cross ST2.9 × 9.5	8909008	7
5	Plug	8323005	1	24	Locating Board	6380008	1
6	Motor	6158006	1	25	Fitting Nut	8092007	1
7	Small Gear, Motor	8241010	1	26	O-ring 50.39 × 3.53	8378107	1
8	Pin	8993003	1	27	Anti-friction Washer	8216010	1
9	Screw, Cross ST3.9 × 16	8909044	4	28	Shaft	8258009	1
10	Label	8865008	1	29	Moving Seal Ring	8370053	1
11	Front Cover	8300008	1	30	Moving Disk	8459016	1
12	Display Board	6381003	1	31	Fixed Disk	8469015	1
13	Wire for Display Board	5512001	1	32	Seal Ring	8370034	1
14	Wire for Locating Board	5511001	1	33	Animated Connector	5457003	1
15	Control Board	6382003	1	34	Flow Meter	5447020	1
16	Screw, Cross ST2.2 × 6.5	8909004	2	35	Screw, Cross M5 × 35	8902017	2
17	Dust Cover	8005008	1	36	Old Injector(6300)	5468005	1
18	Cable Clip	8126004	2		New Injector(6800)	5468111	

3.8. Assembly & Parts

Flow Meter Connector & Animated Connector



5447020 Flow Meter



5457003 Animated Connector

5447020 Flow Meter				5457003 Animated Connector			
Item No.	Description	Part No.	Quantity	Item No.	Description	Part No.	Quantity
1	Animated Nut	8458014	1	1	Animated Nut	8458014	1
2	O-ring	8378064	1	2	O-ring	8378064	1
3	Impeller Supporter	5115023	1	3	Clip	8270005	1
4	Impeller	5436013	1	4	Connector	8458039	1
5	Impeller Supporter	5115024	1				
6	Clip	8270005	1				
7	Shell	8002006	1				